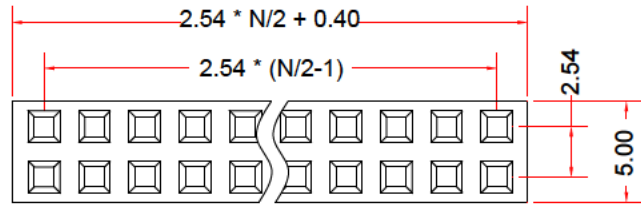
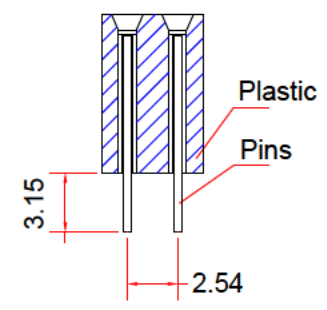
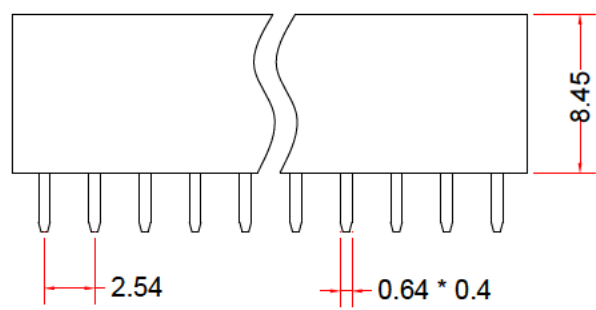


Rev.	DESCRIPTION	DRAWN	CHECKED	APPROVED
A	NEW RELEASE		~	



Specifications:

- Contact Resistance: 30mΩ max. at DC 100 mA
- Insulator Resistance: 1000MΩ Min. at DC 500V
- Current Rating: 1AMP
- Voltage: AC 500V For 1 mins
- Operating Temperature: -55°C + 105°C
- Solder Temperature: 250°C and 3 Seconds



- Contact: Brass/Gold flash
- Housing: PA46 (UL94V-0)
- XX = No. of poles

GENERAL TOLERANCE		ANGEL TOLERANCE		PROJECTION		TITLE	SM C02 2807 XX BSA-G
.X	+/-15	.X	+/-3	UNITS	MM	SHEET SIZE	A4
.X	+/-10	.X	+/-2			SERIES	
.XX	+/-5	.XX	+/-1				
DRAWING TYPE		CUSTOMER					
SCALE	1 : 1	SHEET	1 OF 1				
DRAWING NO.							