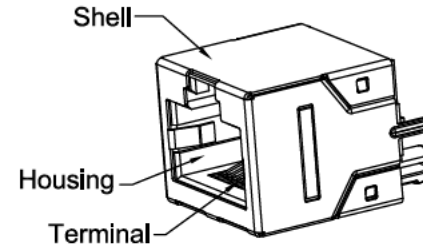
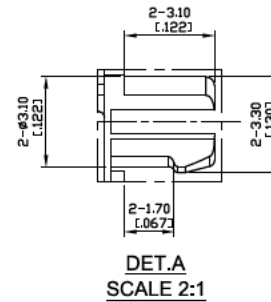
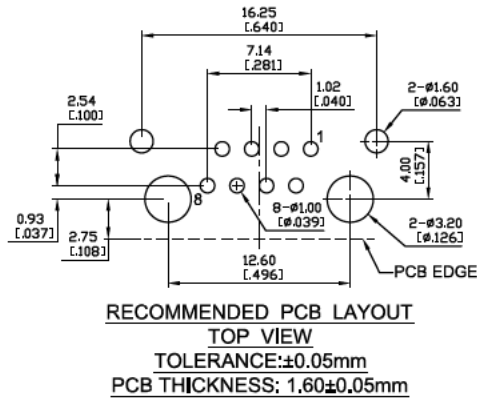
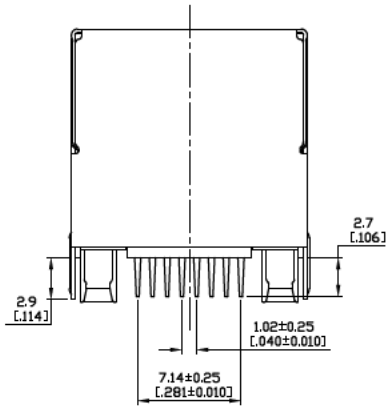


Electrical Characteristics :
 Insulation Resistance : 500MΩ Min.
 Contact Resistance : 50mΩ Max.
 Withstand Voltage : 1000 VAC 1 minute.
 Current Rating : 1.5A

Material:
 Housing: Thermoplastic UL94V-0
 Contact : Selective Gold Plating
 Terminal: 0.35mm Thickness Copper Alloy
 Plated With Gold And Tin In Solder Area.
 Shell: Copper Alloy, Nickel Plating.



**RJ45 , Shielded , Receptacle,
 Vertical , Single Port , THT**

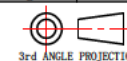
Unless otherwise specified tolerance

X. ±0.35 X.XX: ±0.20
 X.X: ±0.25 X.XXX: ±0.15

SCALE: As Show UNIT: mm

DRAW: Robi DATE: 09 30 2017

CHECK: BobYa g DATE: 09 30 2017



TIT: SM C04 5228 88 GY

PRODUCT NO:

REV	DESCRIPTION	DATE